



# Sinterit Platform

Product specification

## Good access and the right body position

- Load capacity - max. 100 kg
- Construction made of steel elements
- Powder-coated steel
- 2 leg heights included
- Rubber wheels Ø 50 mm with lock
- Quick set - up



## GENERAL

Category Work platform

Type Mobile

## TECHNICAL DATA

Top dimensions 550 x 650 [mm] (21.7 x 25.6 [in])

Weight 13.5 [kg] (29.7 [lbs])

Height 240 / 440 [mm] (9.4 / 17.3 [in])

Load capacity 100 [kg] (220 [lbs])

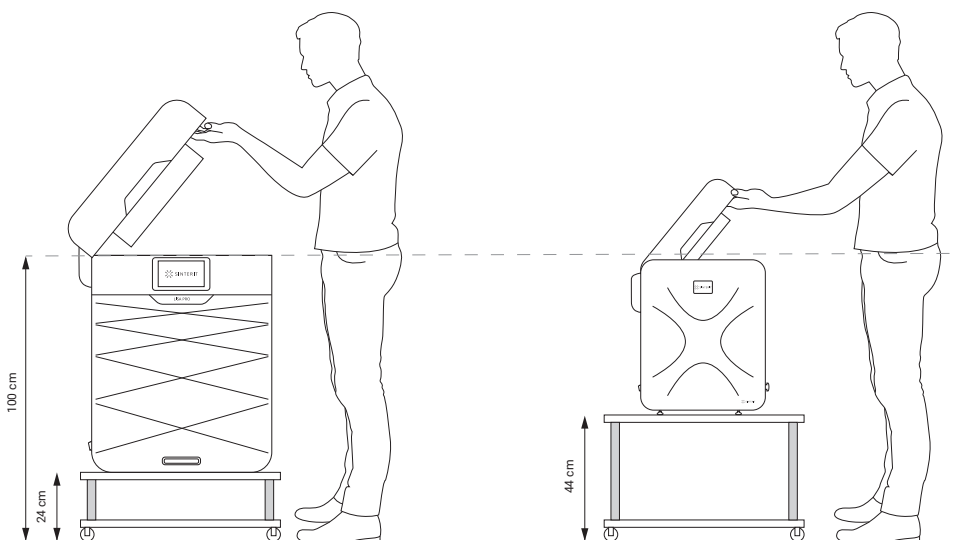
Wheels diameter 50 [mm] (2.0 [in]), with blockade

## PACKAGING

Size of package 605 x 700 x 165 [mm] (23.8 x 27.6 x 6.5 [in])

Package weight 15 [kg] (33.0 [lbs])

Package contains 2 x tabletop, 8 legs, 4 wheels, M5 screws, allen key



SINTERIT  
www.sinterit.com